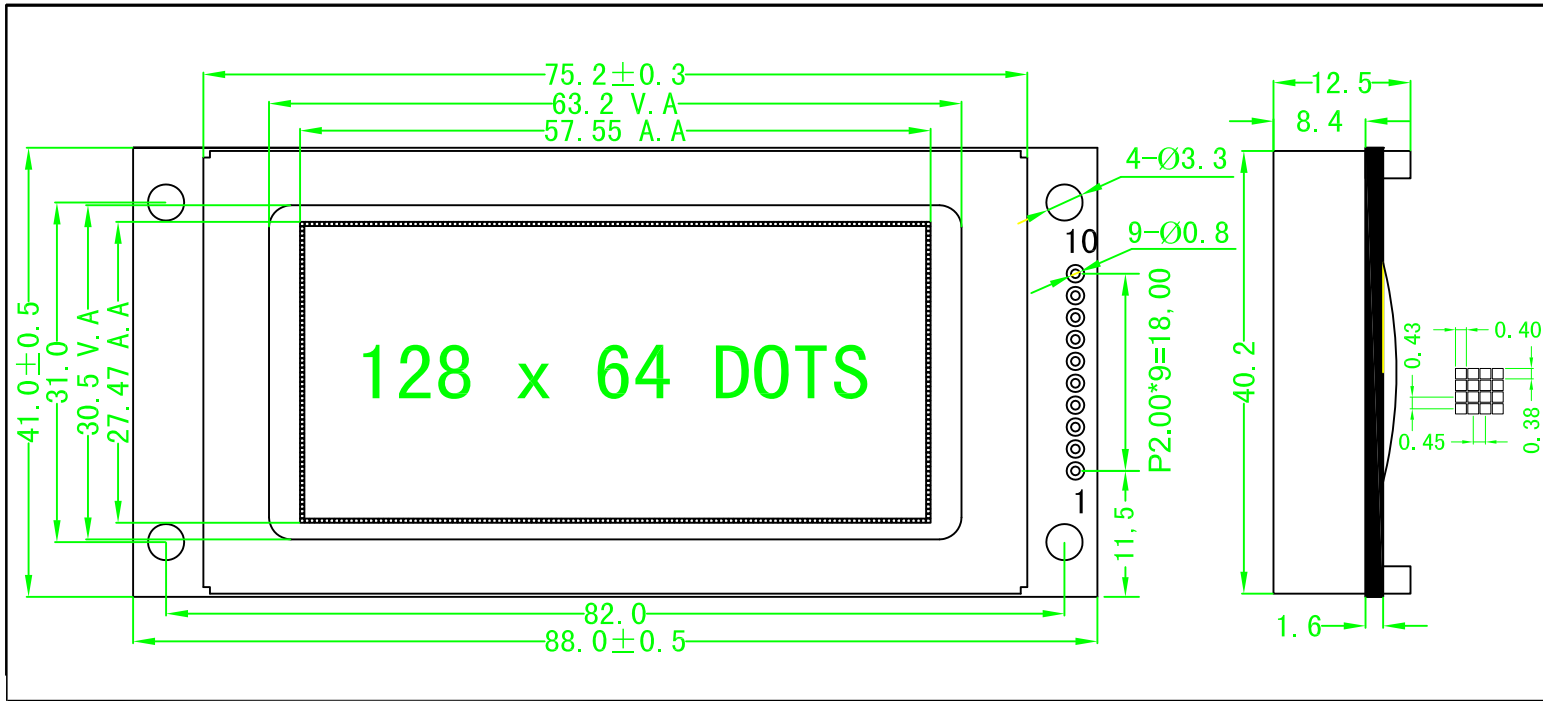
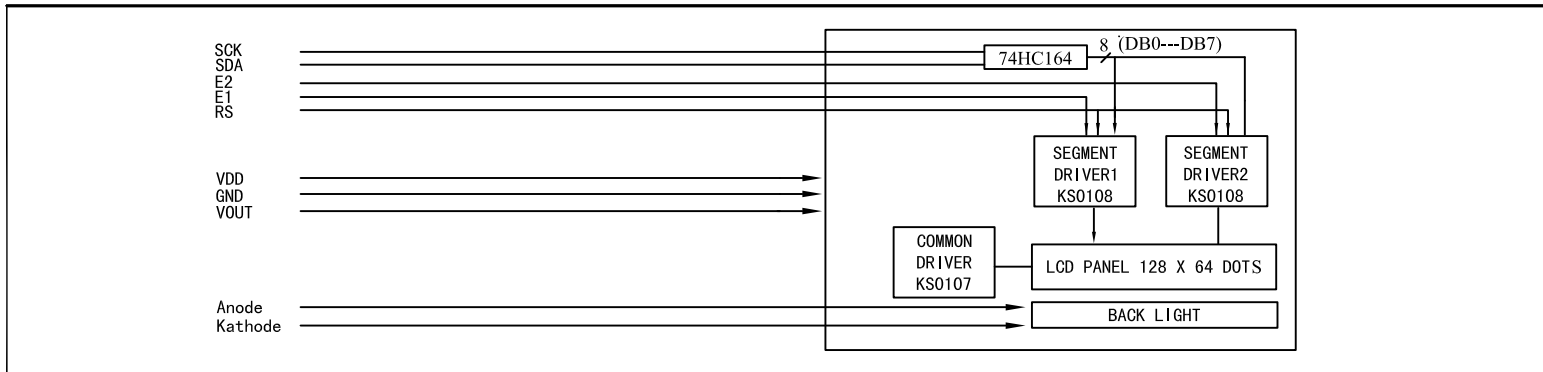


1.0 DIMENSIONAL DRAWING



2.0 BLOCK DIAGRAM & POWER SUPPLY



3.0 MECHANICAL SPECIFICATIONS & FEATURE

Item	Nominal Dimensions (mm)	Feature	
		LCD Type	STN
Module Size (W*H*T)	88.0 × 41.0 × 12.5	LCD Coloure	Yellow-green
View Area (W*H)	63.2 × 30.5	View Angle	6 O'clock
Dot × Dot (W*H)	128 × 64	Display Type	Positive Type
Dot Pitch (W*H)	0.52 × 0.52	Rear Polarizer	Transflective
Dot Size (W*H)	0.48 × 0.48	Operating Temperature	-15° C to +65° C
---	---	Storage Temperature	-20° C to +70° C
---	---	Backlight	LED (green)

4.0 ELECTRICAL CHARACTERISTICS

Item	Symbol	Test Condition	Min.	Typ.	Max.	Unit
Operating Voltage	Vdd	Ta=25° C	---	5.0	---	V
Operating Voltage For LCD	Vlcd	Ta=25° C	---	9.0	---	V
Supply Current	Idd	Ta=25° C, Vdd=3.0V	---	15	---	μA
Supply Current For Backlight	If	Ta=25° C, VAK=3.0V	---	15	---	mA

5.0 INTERFACE PIN CONNECTIONS

Pin No.	Symbol	Level	Description
1	VOUT	-4.5V	NOT Connected
2	VSS	0V	LCM Power Supply Negative Input Terminal
3	VDD	5.0V	LCM Power Supply Positive Input Terminal
4	RS	H/L	LCM Comand/data Input Terminal
5	E2	H/L	LCM Enable Signal Input Terminal
6	E1	H/L	LCM Enable Signal Input Terminal
7	SCLK	H/L	LCM Clock Input Terminal
8	SDA	H/L	LCM Serial Data Input Terminal
9	A	5.0V	LED Backlight Power Supply Positive Input Terminal
10	K	0V	LED Backlight Power Supply Negative Input Terminal

NOTE: NO